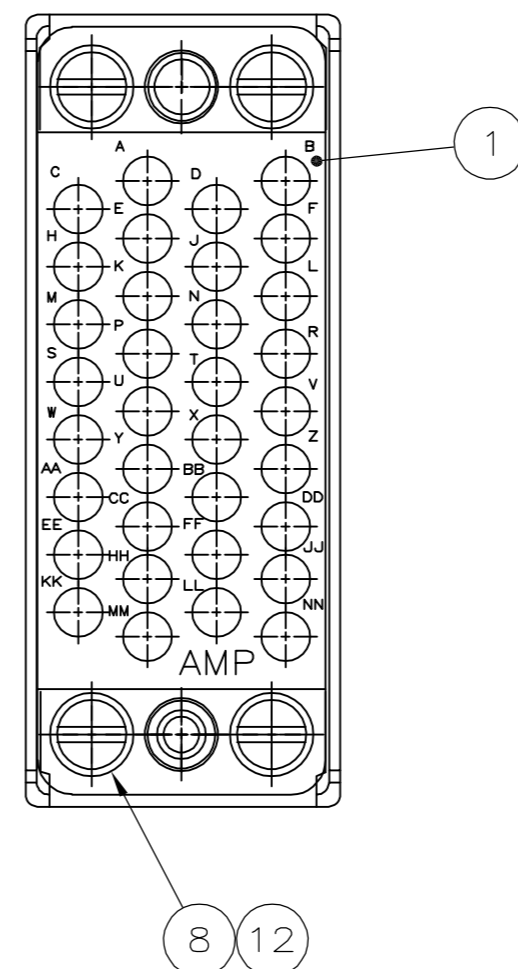
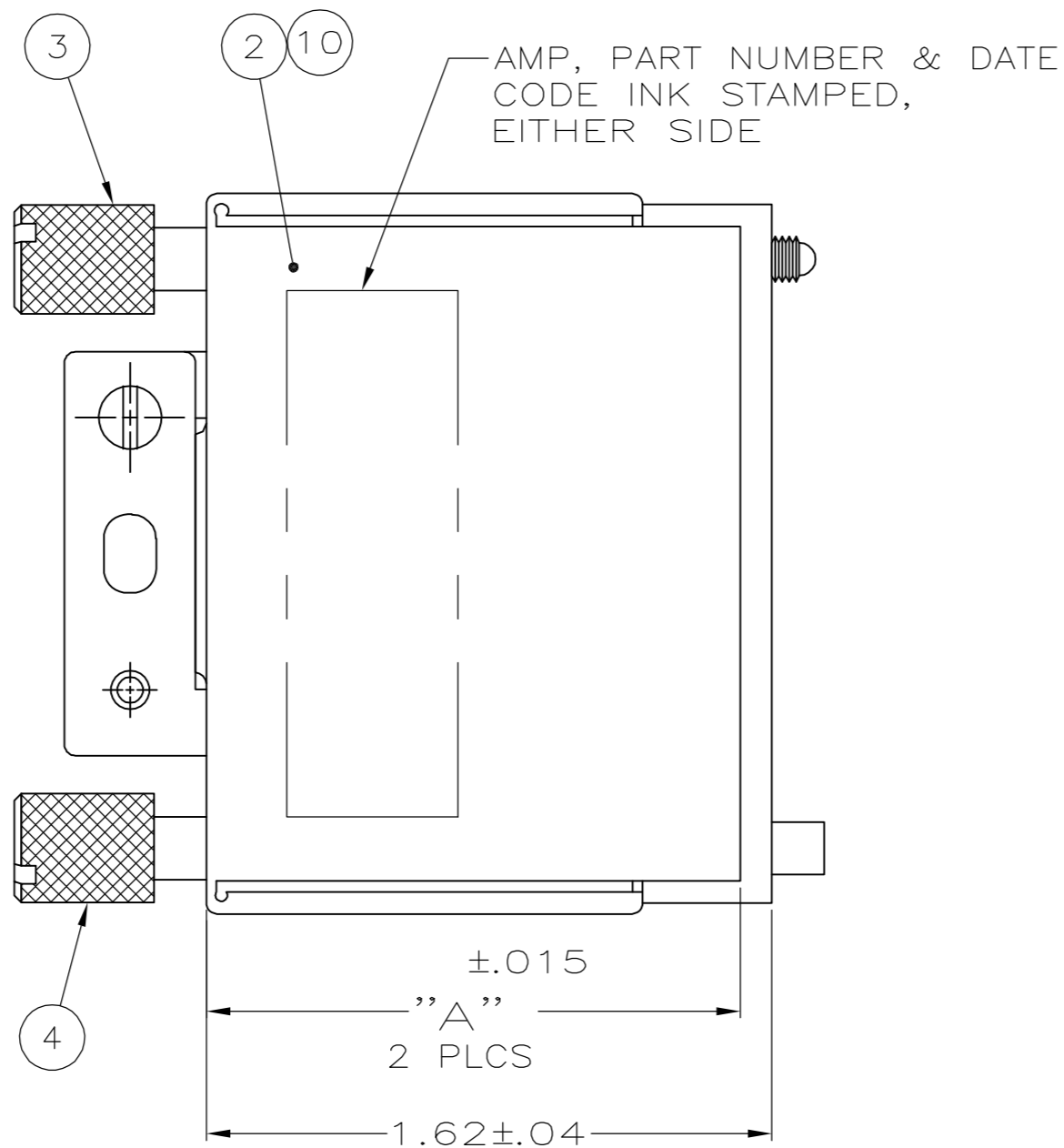
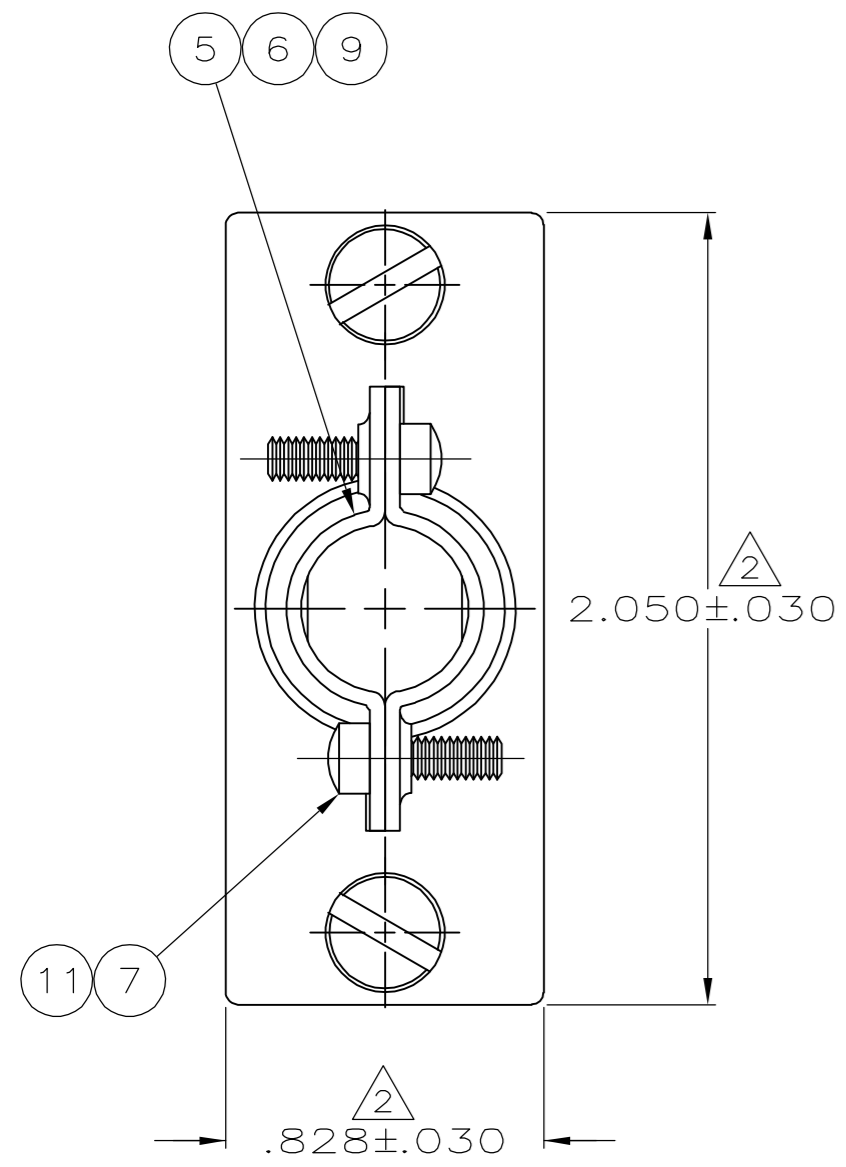


THIS DRAWING IS UNPUBLISHED. RELEASED FOR PUBLICATION
 © COPYRIGHT BY TYCO ELECTRONICS CORPORATION. ALL RIGHTS RESERVED.

LOC	DIST	REVISIONS					
FT	0	P	LTR	DESCRIPTION	DATE	DWN	APVD
		F1		REVISED PER ECO-06-21627	9/13/06	SS	GS



1. PARTIALLY ASSEMBLED.
- ② DIMENSION APPLIES AT BASE OF BEND.
- ③ ALL ITEMS BULK PACKAGED SEPARATELY. WITHOUT INK MARKING.
- ④ PRELIMINARY PART NO.
- ⑤ FINISH: ZINC PLATE WITH HEXAVALENT CHROMATE.
- ⑥ FINISH: ZINC PLATE WITH NON-HEXAVALENT CHROMATE.

DIM A	CABLE AREA SQUARE INCHES	PART NUMBER
1.530	.1491-.2336	213522-6
1.225	.1491-.2336	213522-5
1.530	.0314-.0707	213522-4
1.530	.1491-.2336	213522-3
1.530	.1176-.1643	213522-2
1.530	.1491-.2336	213522-1

OBSOLETE

QTY	DESCRIPTION	MATERIAL	ITEM NO.
④ 4	SCREW, #4-40, .250 LONG	STEEL, PLATED ZINC	12
⑥ 2	SCREW, #4-40, .375 LONG	STEEL, PLATED ZINC	11
1	SHIELD, SHORT/SHORT	ALUMINUM, ANODIZED	10
-	CABLE CLAMP	STEEL, PLATED ZINC	9
⑤ - 4	SCREW, #4-40, .250 LONG	STEEL, PLATED ZINC	8
⑤ - 2	SCREW, #4-40, .375 LONG	STEEL, PLATED ZINC	7
-	CABLE CLAMP	STEEL, PLATED ZINC	6
2	CABLE CLAMP	STEEL, PLATED ZINC	5
1	JACKSCREW, FEMALE	STAINLESS STEEL	4
1	JACKSCREW, MALE	STAINLESS STEEL	3
-	SHIELD, SHORT	ALUMINUM, ANODIZED	2
1	RECEPTACLE HOUSING, MOD	PHENOLIC, BLACK	1

THIS DRAWING IS A CONTROLLED DOCUMENT.

DWN: D.ERDMAN 4-6-88
 CHK: R.STONE 4-6-88
 APVD: -

tyco Electronics Tyco Electronics Corporation
 Harrisburg, PA 17105-3608

PRODUCT SPEC: -
 APPLICATION SPEC: -

WEIGHT: -

MATERIAL: SEE TABLE
 FINISH: SEE TABLE

SIZE: A2
 CAGE CODE: 00779
 DRAWING NO: C=213522
 RESTRICTED TO: -

CUSTOMER DRAWING
 SCALE: 2:1
 SHEET: 1 of 1
 REV: F1